

NEW MODELS

HI-TECH BRAKE SOLUTIONS MADE IN EUROPE



GO AHEAD

KAWASAKI Z 1000 H2 SE

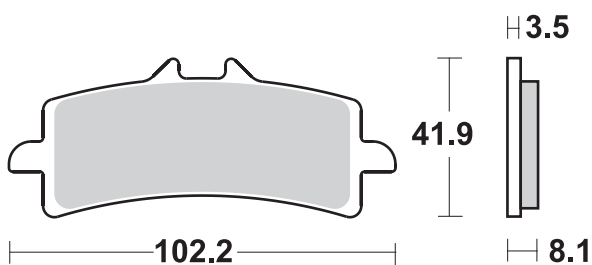


					RECOMMENDED	
KAWASAKI						
Z	1000	H2 SE		21 - 21	841 SP*	657 LS

* = 2 sets required / 2 jeux pour l'Avant.

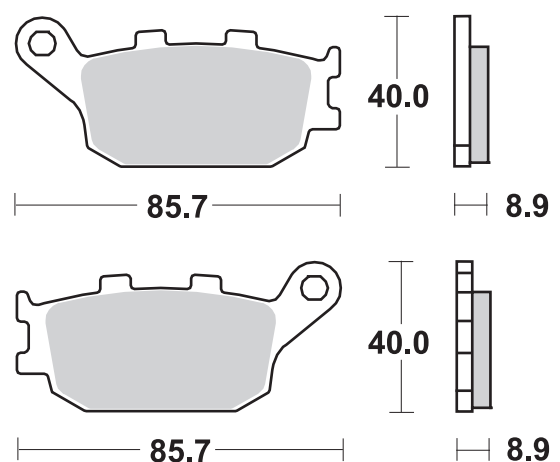
Available compounds

SBS 841 HS • SP • DC • RST



Available compounds

SBS 657 HF • LS



@sbsbrakes | sbsbrakes.com | #GoAhead